



***Performance Under Pressure***

PARTS LIST FOR  
***JCW-3004-0MHB/0MVB***  
(AFTER SERIAL #10202373)

Engine Oil Grade:	
Honda:	SAE 10W-30
Vanguard:	Above 40°F=SAE 30 Below 40°F=SAE10W-30
Engine Oil Capacity:	
Honda:	37 oz.
Vanguard:	51 oz.
Pump Oil Grade:	Mi-T-M Pump Oil #AW-4085-0016
Pump Oil Capacity:	15 oz.
Nozzle Size:	4.0

This Parts Listing has been compiled for your benefit. You can be assured your Mi-T-M Cold Water Pressure Washer was constructed and designed with quality and performance in mind using over 25 years experience in the pressure washer business. Each component has been rigorously tested to insure the highest level of acceptance.

The contents of this Parts Listing are based on the latest product information available at the time of publication. Mi-T-M reserves the right to make changes in price, color, materials, equipment, specifications or models at any time without notice.

### **WARNING**

THIS IS A PROFESSIONAL HIGH PRESSURE, COLD WATER PRESSURE WASHER. CAUTION SHOULD BE OBSERVED WHEN USING OR REPAIRING THIS UNIT! READ AND FOLLOW THE SAFETY WARNINGS LISTED BELOW BEFORE ATTEMPTING ANY REPAIRS ON THIS PRESSURE WASHER!

### **SAFETY WARNINGS**

1. NEVER alter or modify the equipment. Be sure any accessory items and system components being used will withstand the pressure developed. Use only genuine Mi-T-M parts for repair of your pressure washer. Failure to do so can cause hazardous operating conditions and will VOID warranty.
2. NEVER make adjustments on machinery while the unit is connected to the engine without first removing the ignition cables from the spark plugs. Turning over the machinery by hand during adjustment or cleaning might start the machinery, causing serious injury to the operator.
3. Know how to stop and bleed pressures quickly. Be thoroughly familiar with controls.
4. Before servicing the unit, turn unit off, relieve the water pressure and allow the unit to cool down. Do not make repairs while the unit is running. Service in a clean, dry, flat area.
5. After testing the machine, DO NOT leave the pressurized unit unattended. Shut off the unit and release trapped pressure before leaving.

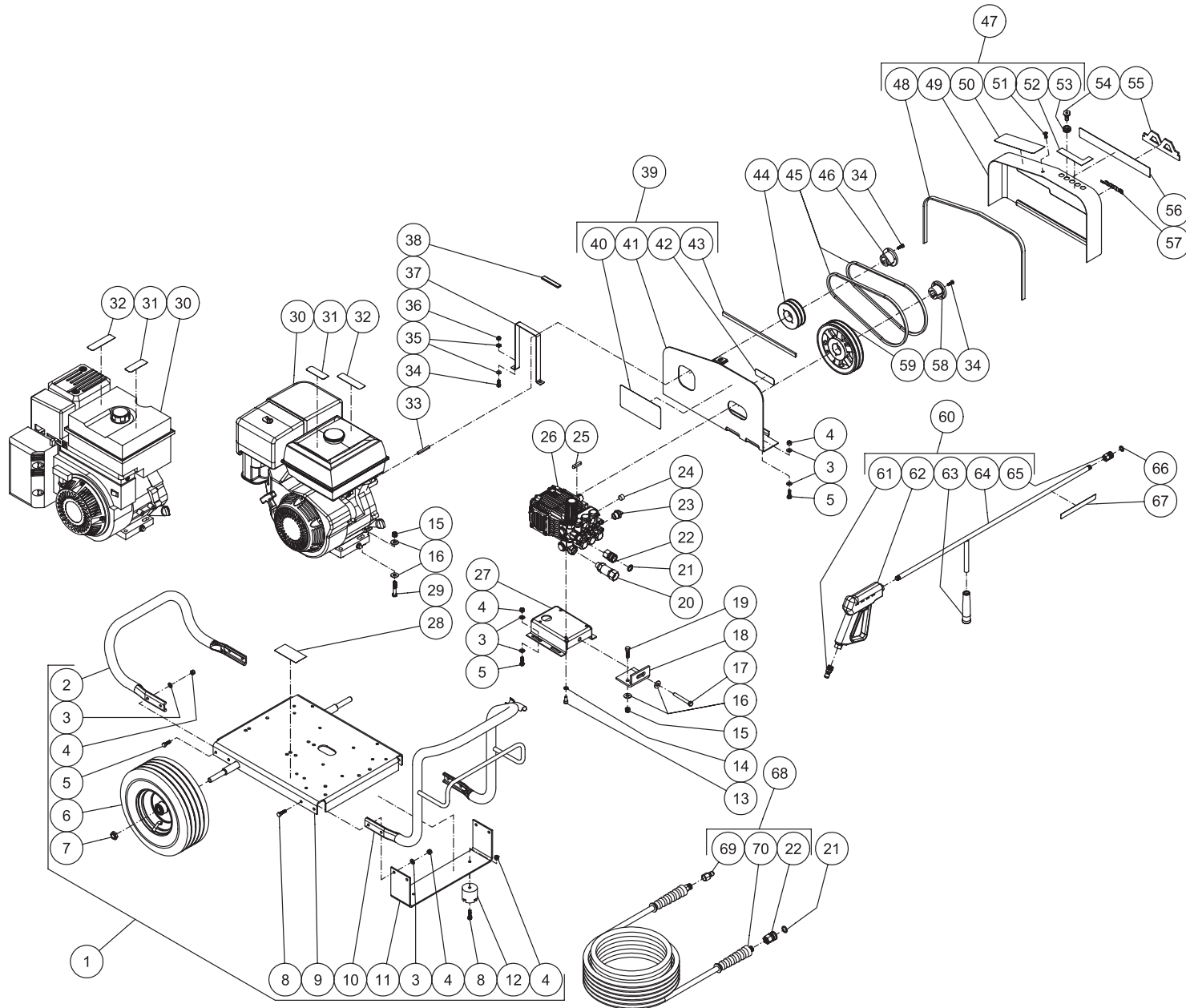
### **Table of Contents**

<b>SPECIFICATIONS</b> .....	<b>3</b>
<b>FRAME ASSEMBLY (AFTER SERIAL #10202373)</b> .....	<b>4</b>
<b>PUMP ASSEMBLY (3-0268)</b> .....	<b>6</b>
<b>UNLOADER ASSEMBLY (8-0533)</b> .....	<b>8</b>
<b>GUN ASSEMBLY (16-0001)</b> .....	<b>10</b>

## SPECIFICATIONS

MODEL NUMBER	JCW-3004-0MHB	JCW-3004-0MVB
<b>Operating Pressure (PSI/Bar):</b>	3000/207	
<b>High Pressure Nozzle:</b>	4.0	
<b>Water Volume (GPM/lpm):</b>	3.5/13.2	
<b>Engine:</b>	Honda	B & S Vanguard
Horsepower	11.0	
Engine Type	4 Stroke, Overhead Valve, Single Cylinder	
Oil Type	SAE 10W 30	Above 40°F=SAE30/Below 40°F=SAE 10W 30
Oil Capacity (oz./liters)	37/1.1	51/1.5
Low Oil Protection	Oil Alert™	Oil Guard™
Fuel Type	Unleaded Gasoline 86 Octane Minimum	
Fuel Capacity (gallon/ liters)	1.7/6.5	1.88/7.1
Starting	Recoil	
Maximum No Load RPM	3600	
<b>Pump:</b>	Belt Driven, Oil Bath, Triplex Piston	
Oil Type	Mi-T-M Pump Oil #AW-4085-0016	
Oil Capacity (oz./liters)	15/44	
Plungers	Ceramic	
Manifold	Forged Brass	
Valves	Stainless Steel	
Unloader	Adjustable	
Thermal Relief Valve	Relieves heated water during unloader bypass stage	
<b>Unit Net Weight (Lbs/kg)</b>	184/83.5	189/86
<b>Unit Shipping Weight (Lbs/kg)</b>	238/108	243/110
<b>Unit Net Dimension (In/cm)</b>	39.5L x 28.5W x 26H/100L x 72W x 66H	
<b>Unit Shipping Dimension (In/cm)</b>	48L x 30W x 34H/122L x 76W x 86H	

# FRAME ASSEMBLY (AFTER SERIAL #10202373)



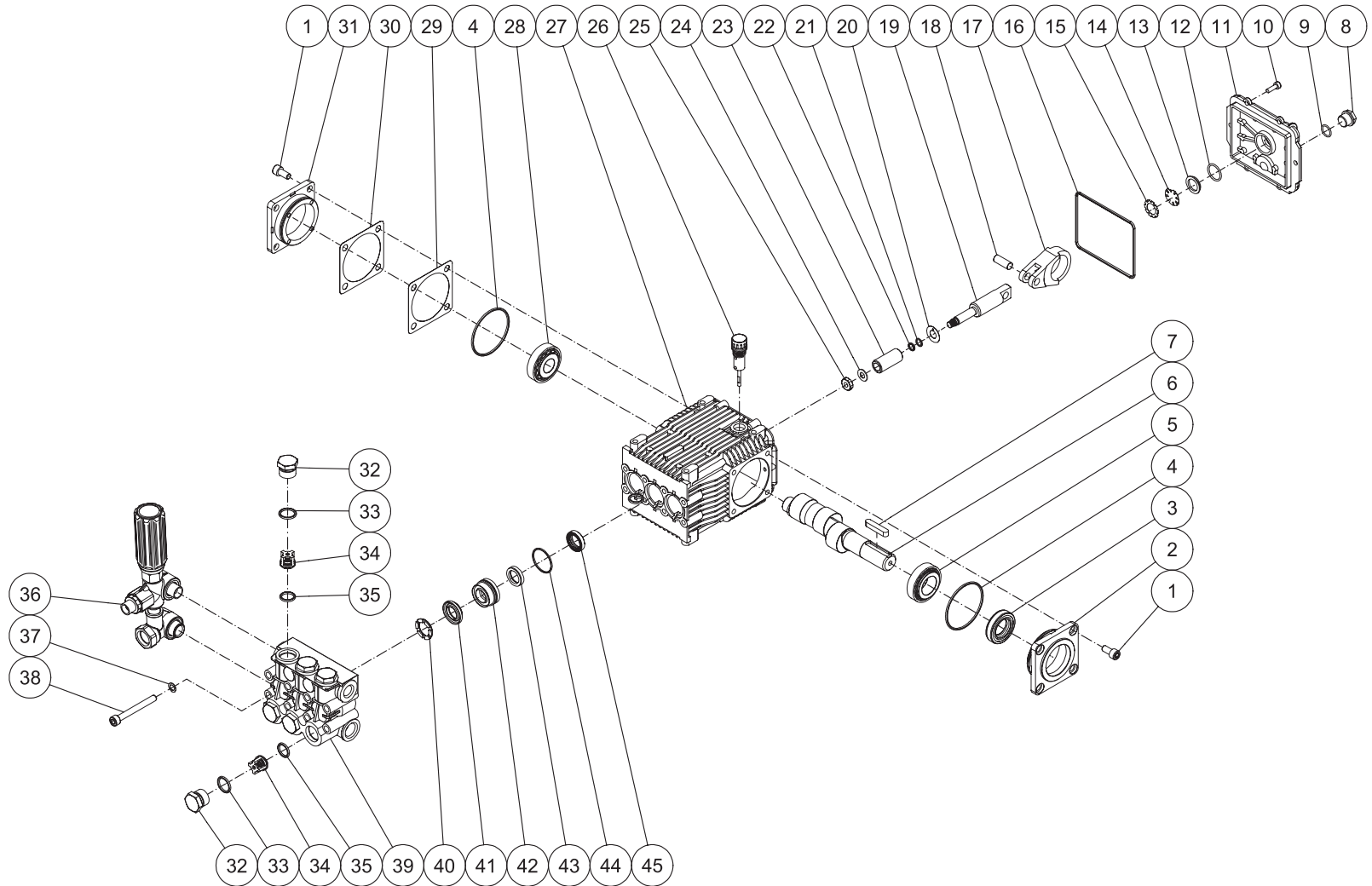
JCW-3004-0MHB/VB-051606-JJT

FRAME ASSEMBLY (AFTER SERIAL #10202373)

REF #	DESCRIPTION	PART #	QTY	REF #	DESCRIPTION	PART #	QTY	REF #	DESCRIPTION	PART #	QTY
1	Base Assembly (Inc. 2-12)	851-0329	1	26	Pump	3-0268	1	50	Decal- Operation (See 34-9017)	N/A Sep.	1
2	Rear Handle	7-0175A01	1	27	Pump Bracket	5-0130A01	1	51	Fastener	33-0197	1
3	Washer	28-0003	24	28	Decal- Data Plate	N/A	1	52	Decal- Nozzles 0, 15, 25, 40	34-0500	1
4	Locknut	30-0157	18	29	Bolt	27-0121	4	53	Grommet	33-0001	5
5	Bolt	27-0067	12	30	Engine- Honda 9 HP (JCW-3004-0MHB)	1-0039	1	54	Nozzle- 0004	18-0028	1
6	Wheel	14-0006	2	-	Engine- Vanguard 9 HP (JCW-3004-0MVB)	1-0089	1	-	Nozzle- 1504	18-0029	1
7	Nut	30-0117	2	31	Decal- Caution: Risk of Fire (See 34-9017)	N/A Sep.	1	-	Nozzle- 2504	18-0030	1
8	Bolt	27-0068	6	32	Decal- Warning: Risk of Burns (See 34-9017)	N/A Sep.	1	-	Nozzle- 4004	18-0031	1
9	Baseplate	5-0185A01	1	33	Key	43-0078	1	55	Decal- Mi-T-M Small Logo	62-0086	1
10	Front Handle	7-0174A01	1	34	Bolt	27-0015	6	56	Decal- Mi-T-M Stripe	34-0502	1
11	Underbracket	13-0137A01	1	35	Washer	28-0002	4	57	Decal- White Die Cut 3000PSI	34-0775	1
12	Isolator	14-0008	2	36	Locknut	30-0155	2	58	Bushing	9-0017	1
13	Bolt	27-8884	4	37	Finger Guard	6-0054A01	1	59	Sheave	10-0035	1
14	Lockwasher	29-0054	4	38	Edging *(Five Feet Required)	33-0020	1	60	Gun/Wand Assembly (Inc. 61-65)	851-0095	1
15	Locknut	30-0159	6	39	Beltguard Back Assembly (Inc. 40-43)	851-0213	1	61	Quick Connect Plug	17-0005	1
16	Flatwasher	28-0023	11	40	Decal- Warning/Caution (See 34-9017)	N/A Sep.	1	62	Trigger Gun	16-0001	1
17	Bolt	27-0576	1	41	Beltguard Back Assembly (See 851-0213)	N/A Sep.	1	63	Wand Grip	7-0002	1
18	Angle Tightener Bracket	13-0005A01	1	42	Decal- Warning: Beltguard (See 34-9017)	N/A Sep.	1	64	Wand	16-0418	1
19	Bolt	27-0118	2	43	Edging *(Two Feet Required)	33-0020	1	65	Quick Connect Socket	17-0001	1
20	Inlet Filter	19-0206	1	44	Sheave	10-0074	1	66	O-ring	25-0122	1
21	O-ring	25-0123	2	45	Belt	11-0023	2	67	Decal- Warning: Risk of Injection (See 34-9017)	N/A Sep.	1
22	Socket	17-0004	2	46	Bushing	9-0005	1	68	Hose Assembly (Inc. 22, 69-70)	851-0007	1
23	Thermal Relief Valve	22-0005	1	47	Beltguard Cover Assembly (Inc. 48-53)	851-0313	1	69	Quick Connect Plug	17-0006	1
24	Plug	23-0244	1	48	Edging *(Three Feet Required)	33-0020	1	70	Hose	15-0003	1
25	Key w/ Pump	43-0091	1	49	Beltguard Cover (See 851-0313)	N/A Sep.	1		Safety Decal Kit (Inc. 31-32, 40, 42, 50, 67)	34-9017	

\*Must Order in One Foot Lengths

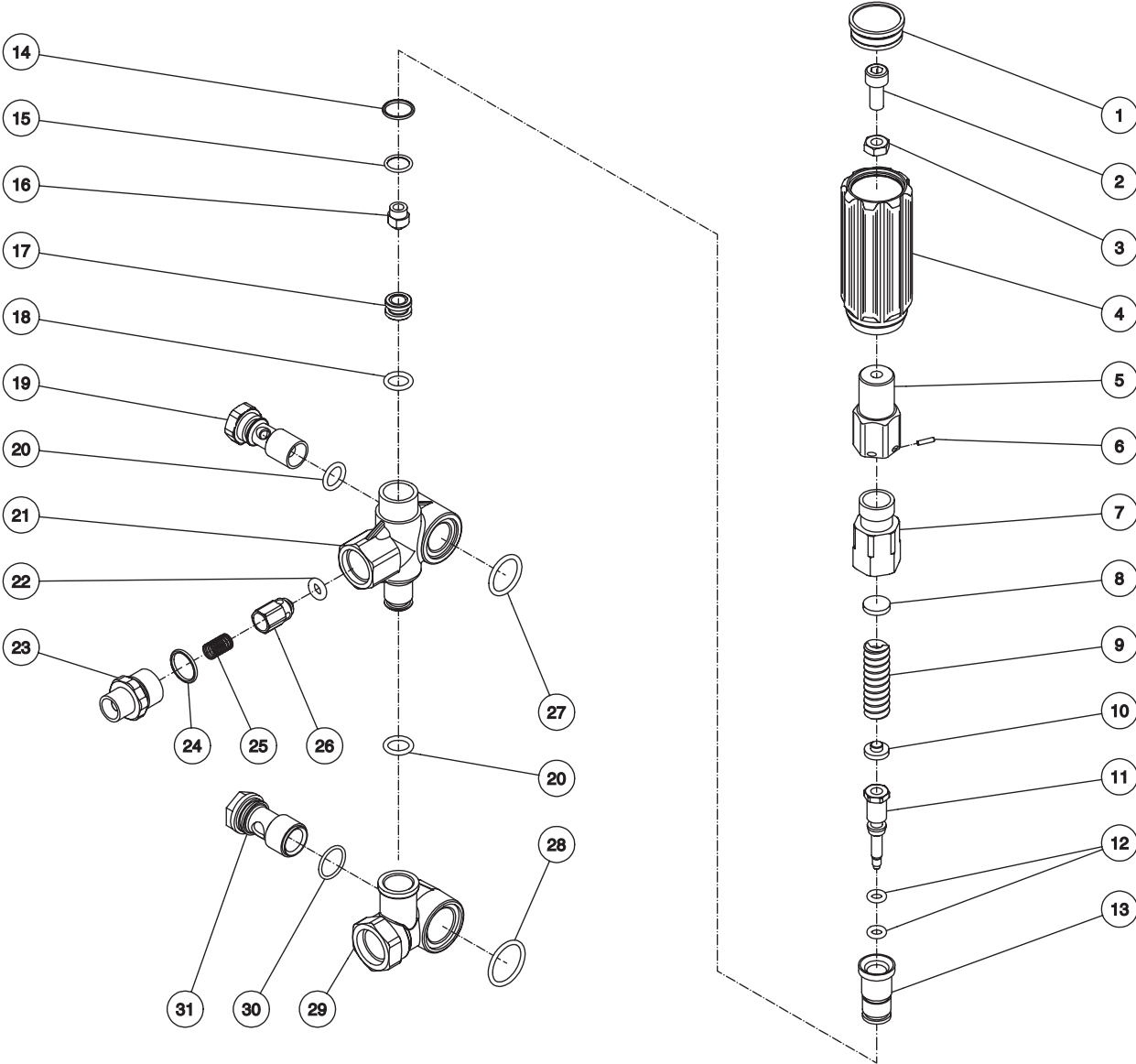
# PUMP ASSEMBLY (3-0268)



3-0268-100708-CH

PUMP ASSEMBLY (3-0268)											
REF. #	DESCRIPTION	PART #	QTY.	REF. #	DESCRIPTION	PART #	QTY.	REF. #	DESCRIPTION	PART #	QTY.
1	Screw	27-8884	8	18	Piston Pin	46-0698	3	35	O-ring	25-0386	6
2	Pump Shaft	46-0691	1	19	Plunger Rod	46-0699	3	36	Unloader	8-0533	1
3	Oil Seal	26-0188	1	20	Washer	46-0700	3	37	Lockwasher	29-0154	8
4	O-ring	25-0380	2	21	Back Ring	25-0404	3	38	Screw	27-8440	8
5	Bearing	48-0061	2	22	O-ring	25-0382	3	39	Manifold	46-1186	1
6	Crankshaft	46-1103	1	23	Piston	46-0701	3	40	Support Ring (See 70-0178)	N/A Sep.	3
7	Key	43-0091	1	24	Washer / Gasket	26-0191	3	41	V-Packing (See 70-0177)	N/A Sep.	3
8	Plug	39-0086	1	25	Nut	30-6020	3	42	Packing Retainer	46-0708	3
9	O-ring	25-0325	1	26	Oil Dipstick	39-0090	1	43	Low Pressure Seal (See 70-0177)	N/A Sep.	3
10	Screw	27-8885	6	27	Pump Crankcase	46-1198	1	44	O-ring	25-0384	3
11	Pump	46-0719	1	28	Bearing	46-0072	1	45	Oil Seal	46-0931	3
12	O-ring	25-0370	1	29	Shim - 0.2mm (Qty. vaires 1-3)	46-0705	1		High Pressure Seals Kit (Inc. 3 each 41, 43, 44)	70-0177	
13	Oil Sight Glass	46-0670	1	30	Shim - 0.1mm (Qty. vaires 1-3)	46-0704	1		Support Ring Kit (Inc. 3 each 40)	70-0178	
14	Oil Reflector	46-0824	1	31	Bearing Cap	46-0703	1		Valve Kit (Inc. 6 each 34, 35)	70-0319	
15	Spring Retainer	46-0671	1	32	Valve Cap	39-0095	6		Oil Seals Kit (Inc. 3, 4, 16, 45)	70-0321	
16	O-ring	25-0398	1	33	O-ring	25-0160	6		Piston Kit (Inc. 3 each 20-25)	70-0352	
17	Connecting Rod	46-0896	3	34	Complete Valve Assembly (See 70-0319)	N/A Sep.	6				

# UNLOADER ASSEMBLY (8-0533)



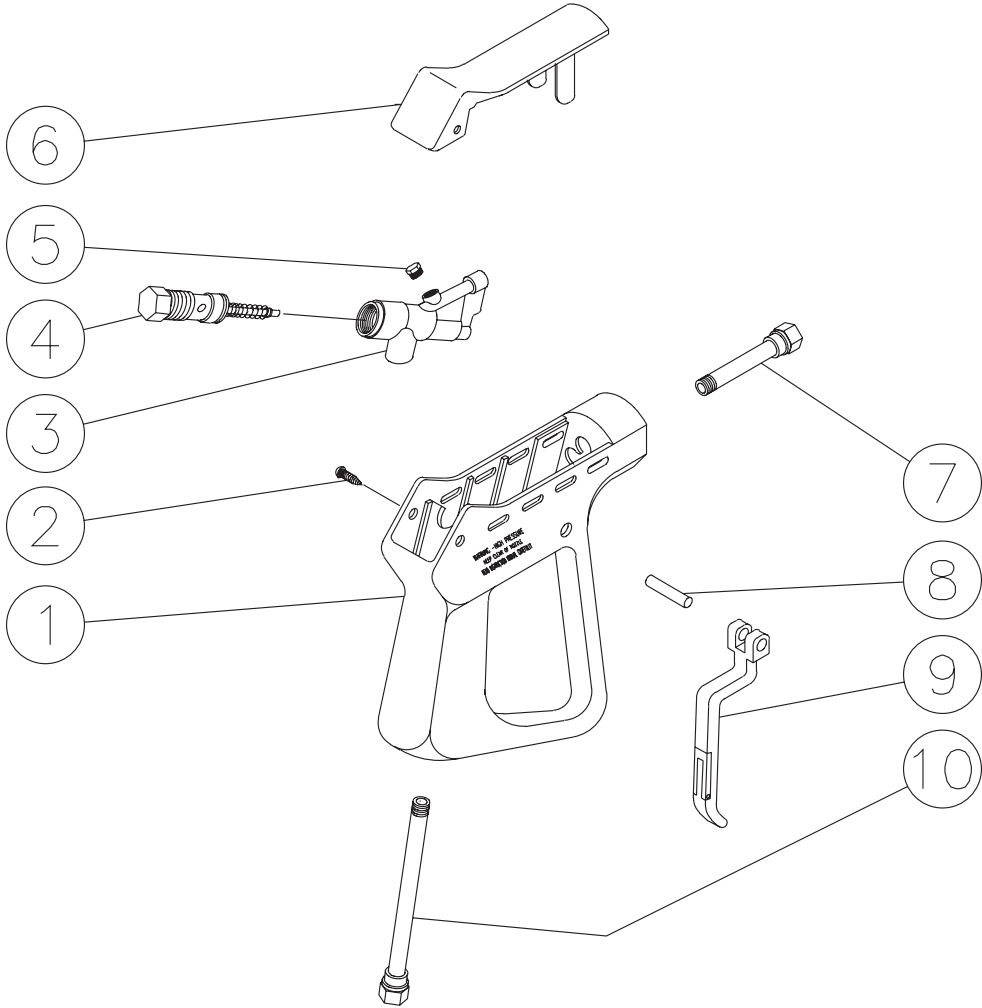
8-0533-102104-JJF



## UNLOADER ASSEMBLY (8-0533)

REF. #	DESCRIPTION	PART #	QTY.	REF. #	DESCRIPTION	PART #	QTY.
1	Unloader Cap	7-0142	1	17	Seat	8-0529	1
2	Screw	27-8433	1	18	O-ring	25-0527	1
3	Nut	30-3025	1	19	Bolt	8-0531	1
4	Unloader Knob	7-0141	1	20	O-ring	25-0388	2
5	Unloader	8-0476	1	21	Unloader Body	8-0530	1
6	Unloader Pin	8-0478	1	22	O-ring	25-0437	1
7	Spring Guide	8-0523	1	23	Adapter Nipple	24-0159	1
8	Upper Plate	8-0524	1	24	O-ring	25-0372	1
9	Unloader Spring	49-0132	1	25	Unloader Check Valve Spring	49-0123	1
10	Lower Plate	8-0525	1	26	Unloader Check Valve	8-0454	1
11	Piston	8-0526	1	27	O-ring	25-0528	1
12	O-ring	25-0526	2	28	O-ring	25-0519	1
13	Piston Guide	8-0527	1	29	Bypass Housing	8-0532	1
14	O-ring	25-0510	1	30	O-ring	25-0389	1
15	O-ring	25-0407	1	31	Bolt	8-0517	1
16	Bypass Jet	8-0528	1		Unloader Repair Kit (Inc. 12, 14-15, 18, 20, 22, 24, 27, 28, 30)	70-0341	

# GUN ASSEMBLY (16-0001)



16-0001-110399-RD

<b>GUN ASSEMBLY (16-0001)</b>			
<b>REF. #</b>	<b>DESCRIPTION</b>	<b>PART #</b>	<b>QTY.</b>
1	Plastic Housing	16-0008	1
2	Screw	27-3230	2
3	Brass Housing	16-0012	1
4	Gun Repair Kit	70-0055	1
5	Brass Plug	39-0024	1
6	Plastic Cover	16-0009	1
7	Pipe Assembly	16-0013	1
8	Trigger Pin	16-0063	1
9	Trigger/Safety Lock-off	16-0010	1
10	Pipe Assembly- Inlet	16-0016	1
	Complete Gun Assembly	16-0001	1

Manufactured by Mi-T-M  
8650 Enterprise Drive, Peosta IA 52068  
563-556-7484/ Fax 563-556-1235